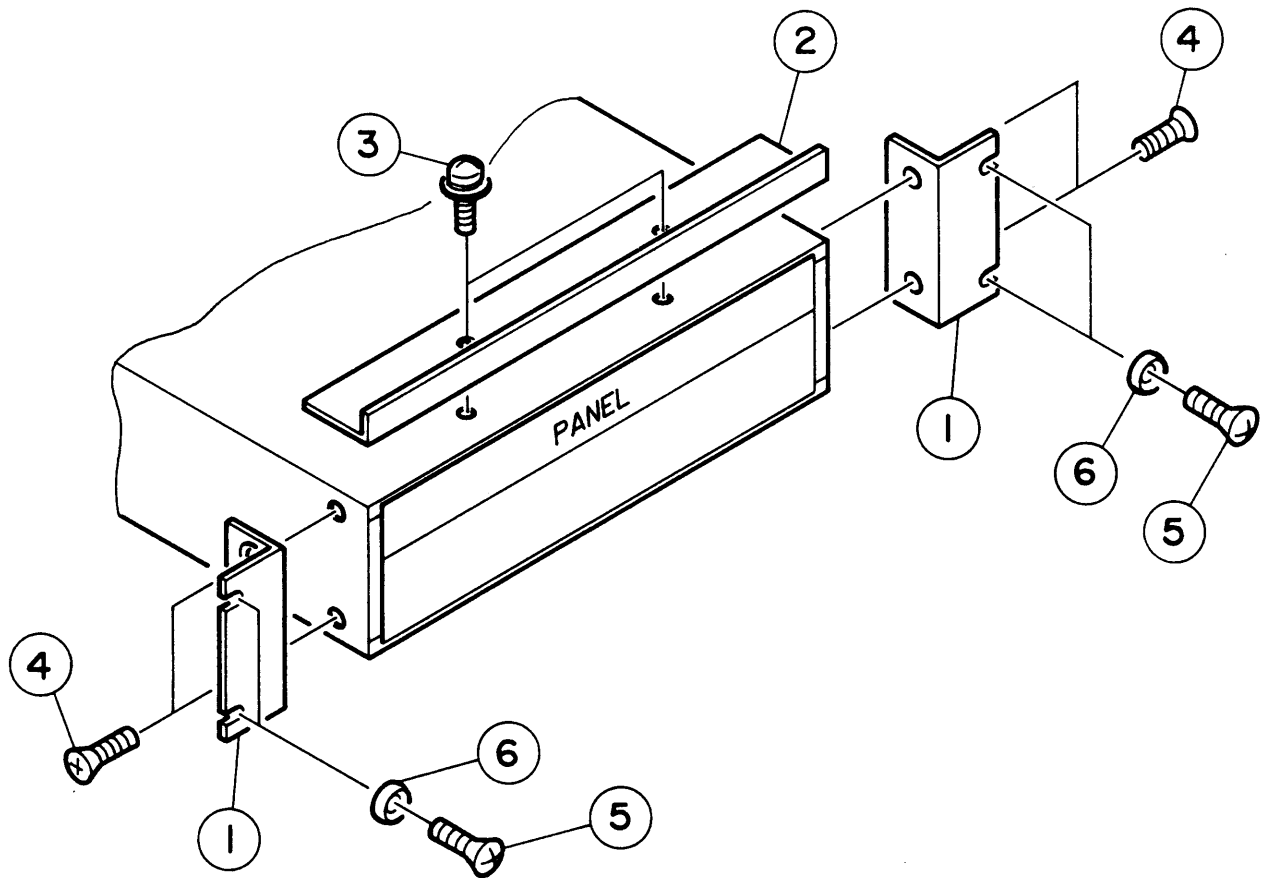


# BRACKET BH4C



NO.	DESCRIPTION	QTY	CODE NO.
1	BRACKET BH4C	2	D3-988-501
2	BRANK PANEL BH4C	1	A4-988-501
3	SCREW WITH SW,PW M3x0.5x12 S-ZN	2	M3-012-041
4	SCREW,FLAT HEAD M4x0.7x16 S-ZN	4	M2-001-171
5	SCREW,OVAL HEAD M5x0.8x14 B-NI	4	M2-002-091
6	FINISHING WASHER 5CW	4	M5-003-031